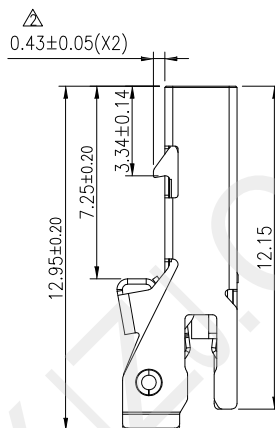
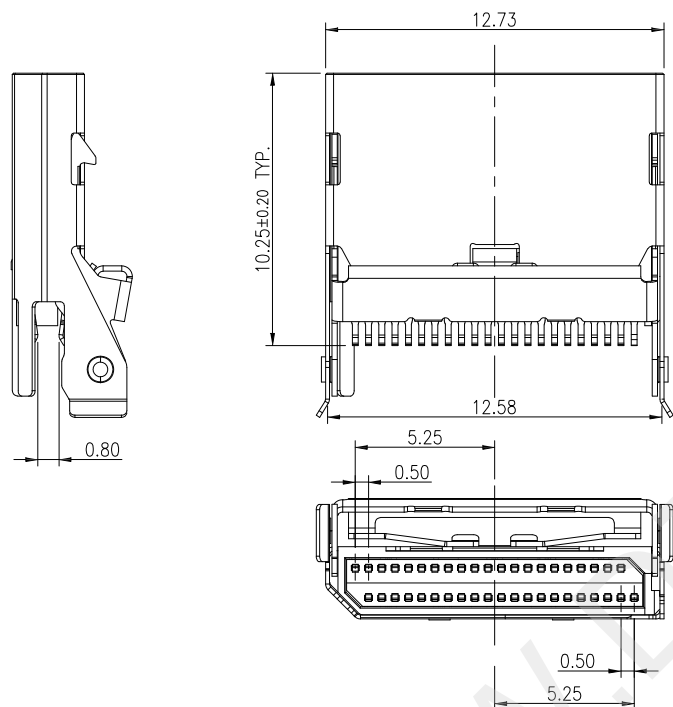
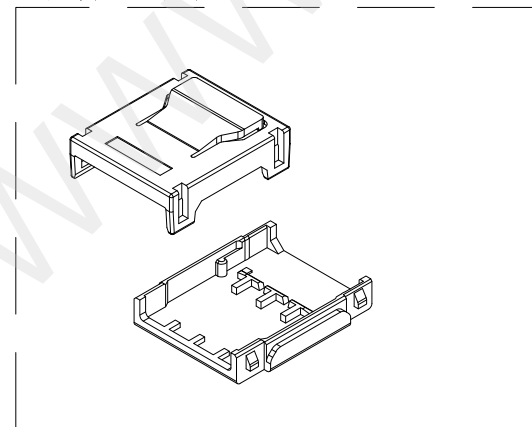


配套上盖和下盖



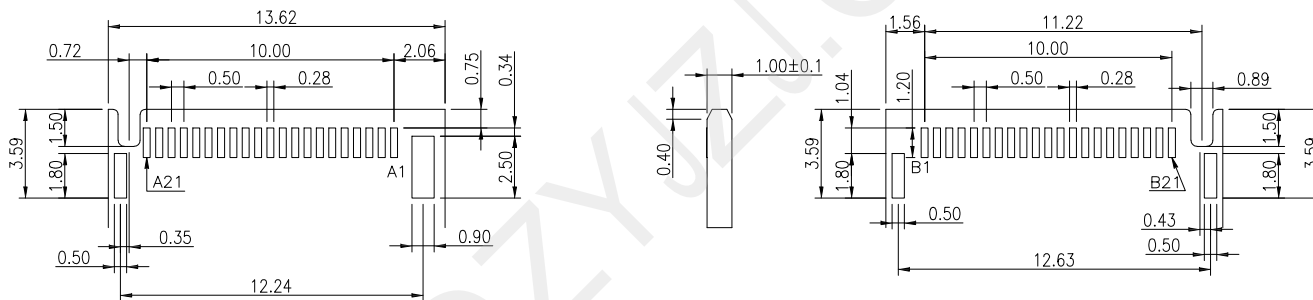
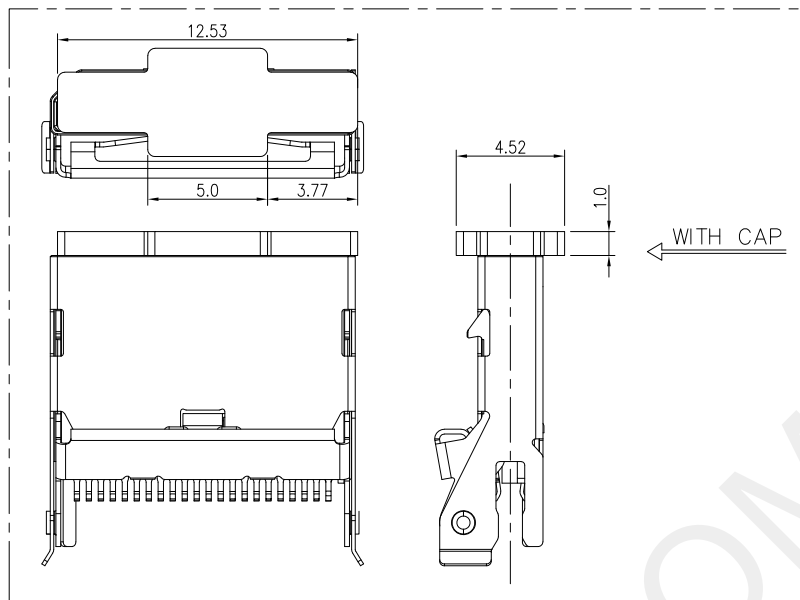
NOTE:

- 1 MATERIAL:
TERMINAL: COPPER ALLOY, T=0.15mm.
HOUSING: I/M, CAP: LCP UL 94V-0, BLACK.
LATCH AND SHELL: STAINLESS STEEL
- 2 PLATING:
TERMINAL: SELECTIVE Au (SEE ORDER INFORMATION) ON CONTACT AREA, MATTE Sn ON SOLDER TAIL AREA, BOTH OVER Ni UNDERPLATED.
SHELL: SOLDERABLE Ni OVERALL
- 3 PACKING: TRAY



深圳市华宇创精密电子有限公司

TOLERANCE: X.X ±0.30 X.XX ±0.25 X.XXX ±0.15 X' ±2' X.X' ±0.5'	DRAWN BY : 陈一鸣	DATE : 2014-02-23	PART NAME: OCULINK STRAIGHT 4i PLUG
	CHECKED BY: 马跃	DATE : 2014-02-23	PART NO. HYC107-OCUL42-100
UNIT: mm [inch] SCALE: 1:1 SIZE: A4	APPROVED BY: 邱敏	DATE : 2014-02-23	MOLD NO.
			DRAW NO: HYC-2605191128
			SHEET NO. 1 OF 1



RECOMMENDED PCB LAYOUT
 TOLERANCE: ±0.05mm



深圳市华宇创精密电子有限公司

TOLERANCE: X.X ±0.30 X.XX ±0.25 X.XXX ±0.15 X' ±2' X.X' ±0.5'	DRAWN BY : 陈一鸣	DATE : 2014-02-23	PART NAME: OCULINK STRAIGHT 4i PLUG
	CHECKED BY: 马跃	DATE : 2014-02-23	PART NO. HYC107-OCUL42-100
UNIT: mm [inch] SCALE:1:1 SIZE: A4	APPROVED BY: 邱敏	DATE : 2014-02-23	MOLD NO.
			DRAW NO: HYC-2605191128
			SHEET NO. 1 OF 1